

# Otto

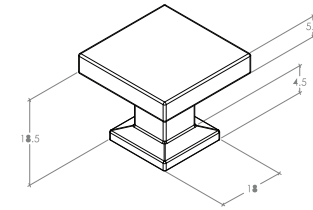
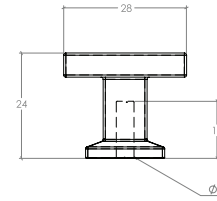
The Otto range is a distinct blend of contemporary and traditional styling. Available in three styles and four on-trend finishes.



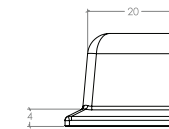
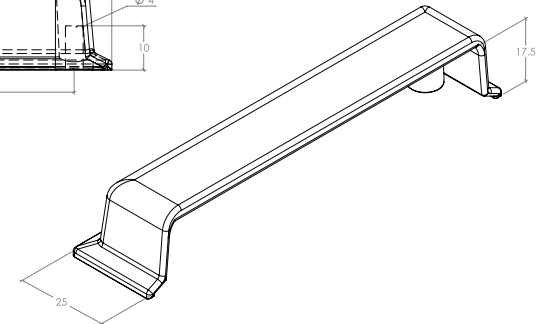
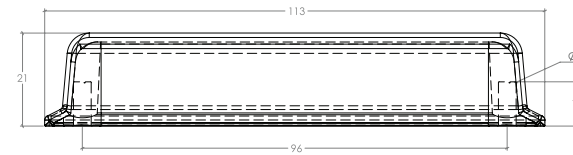
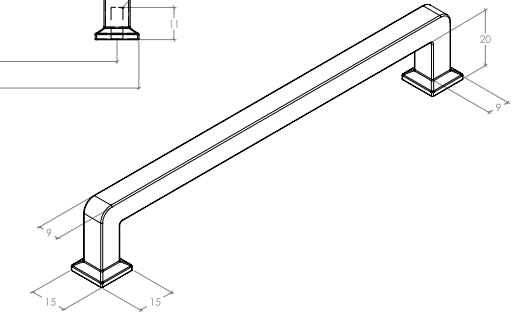
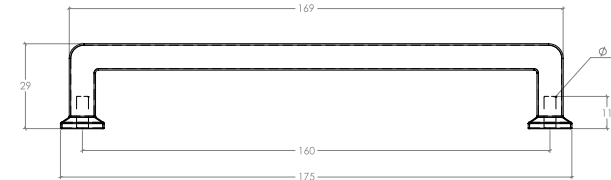
STYLES	28mm Knob: OSK028   160mm D Handle: ODH160   96mm Cup Pull: OCP096
--------	--

FINISHES	<span style="display: inline-block; width: 15px; height: 15px; background-color: black; margin-right: 5px;"></span> Matt Black (MBL) <span style="display: inline-block; width: 15px; height: 15px; background-color: #cccccc; margin-left: 20px; margin-right: 5px;"></span> Dull Brushed Nickel (DBR) <span style="display: inline-block; width: 15px; height: 15px; background-color: #8b4513; margin-left: 20px; margin-right: 5px;"></span> Antique Brass (AB) <span style="display: inline-block; width: 15px; height: 15px; background-color: #d4af37; margin-left: 20px; margin-right: 5px;"></span> Satin Brass (SB)
----------	---

## Knob



## Handles



Part Number	Hole Centre	Overall Length	Projection
OSK028	-	28	24
ODH160	160	175	29
OCP096	96	113	21