

Manhattan

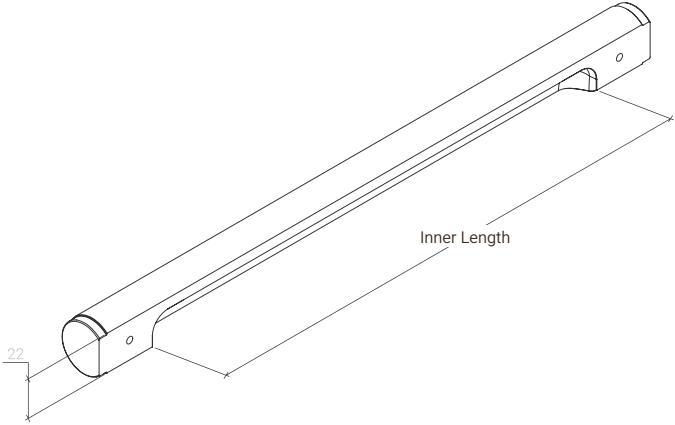
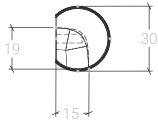
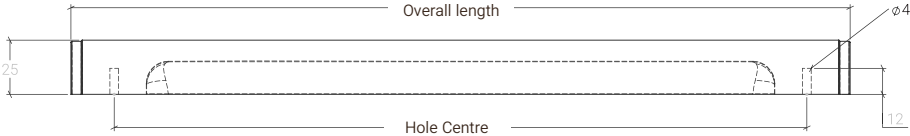
Inspired by the shimmering Manhattan skyline, this meticulously crafted cabinetry handle is available in five exquisite finishes, and is perfectly at home in the most exceptional interiors.



| | | | | | |
|----------|---|---------------------------|------------------|--------------|--------------------------|
| STYLES | 160mm Pull Handle: MSPLN160 320mm Pull Handle: MSPLN320 | | | | |
| FINISHES | Brushed Satin Brass (BSB) | Dull Brushed Nickel (DBR) | Matt Black (MBL) | Bronze (BNZ) | Dark Brushed Brass (DBB) |



Pull Handle



| Part Number | Overall Length | Hole Centre | Inner Length | Projection |
|-------------|----------------|-------------|--------------|------------|
| MSPLN160 | 200 | 160 | 140 | 25 |
| MSPLN320 | 360 | 320 | 290 | 25 |