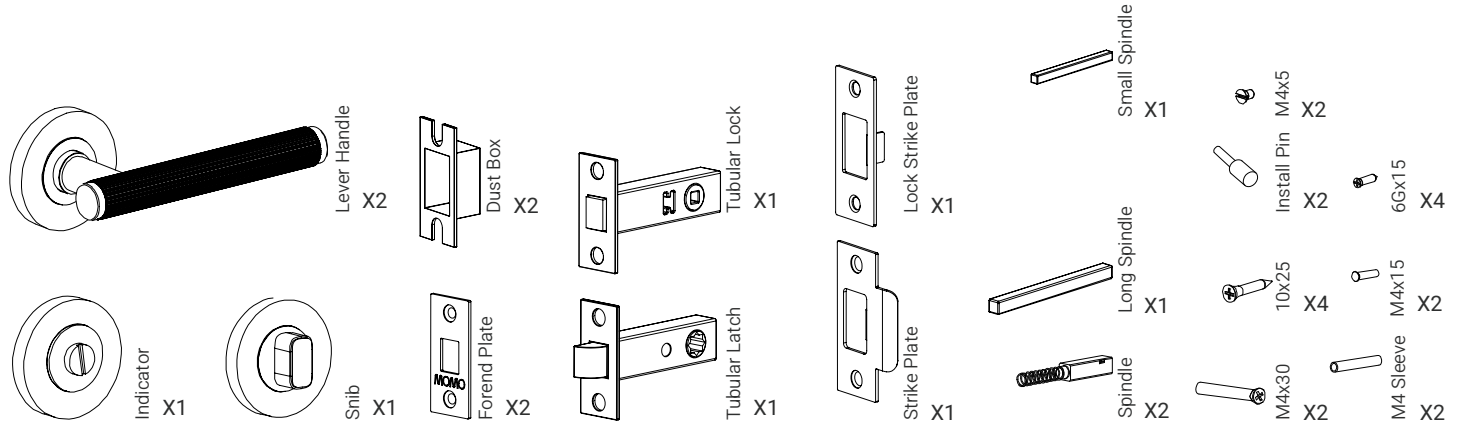


Installation Instructions

Bellevue Lever. Tubular Latch/Lock, Snib and Strike Install

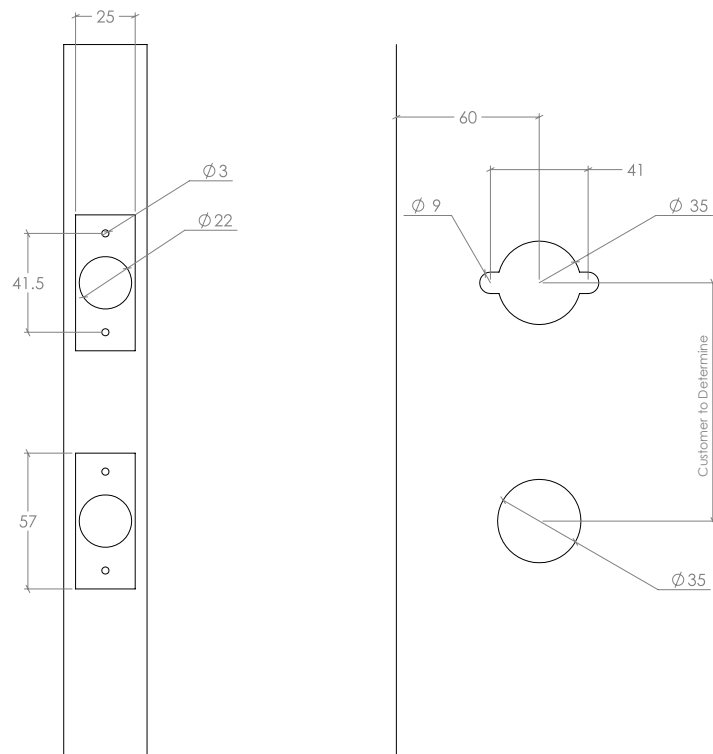


1. Components

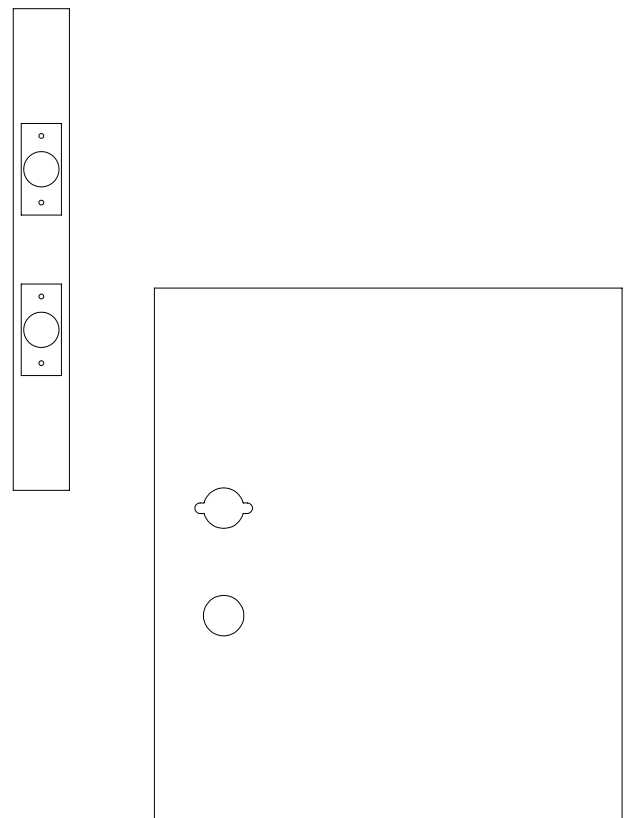


2.

Tubular latch/lock and lever drilling dimensions



3.



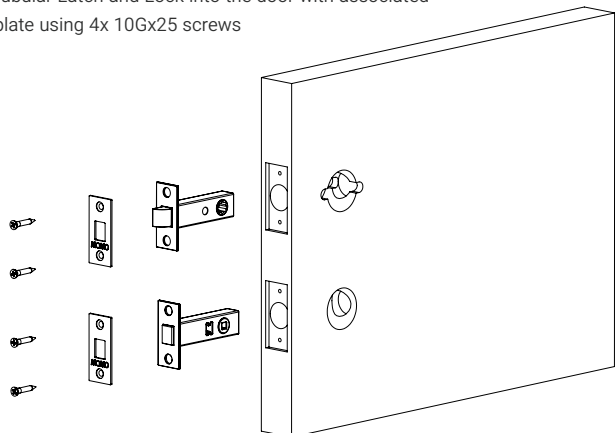
Installation Instructions

Bellevue Lever. Tubular Latch/Lock, Snib and Strike Install

MOMOHANDLES

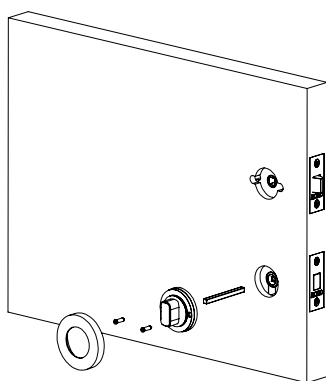
4.

Install Tubular Latch and Lock into the door with associated forend plate using 4x 10Gx25 screws



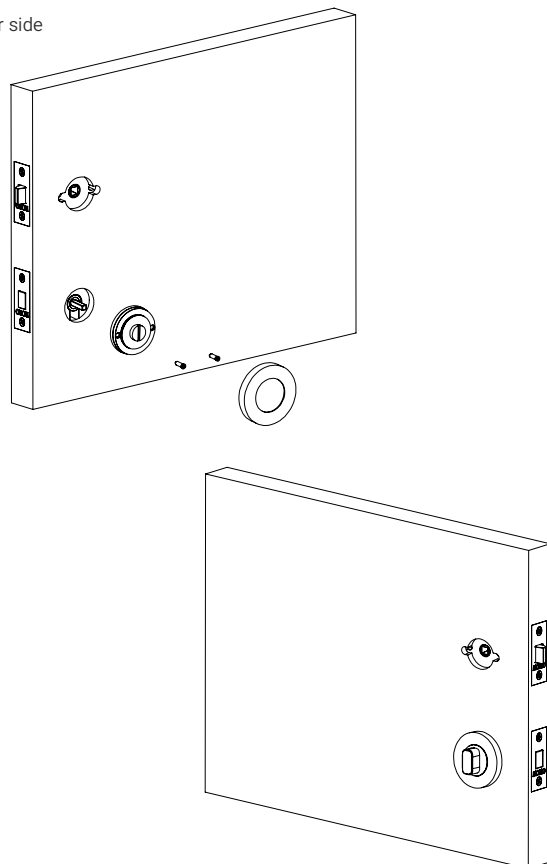
Install Snib, Spindle and 2x 6Gx15 screws

Followed by the rosette cover
(Hand tighten)



5.

Repeat for other side

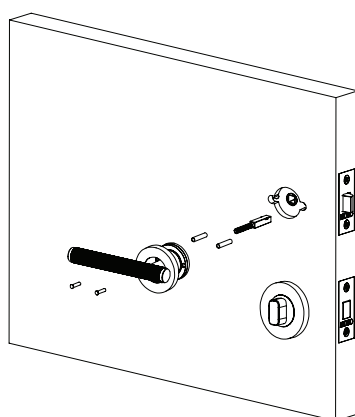


6.

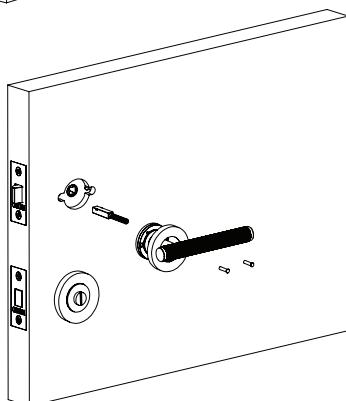
Loosen rosette cover from lever and install 2x M4x15 screw to the Lever

Tighten with the 2x M4 sleeves and insert spindle, spring side first into the lever handle

Install assembly into door

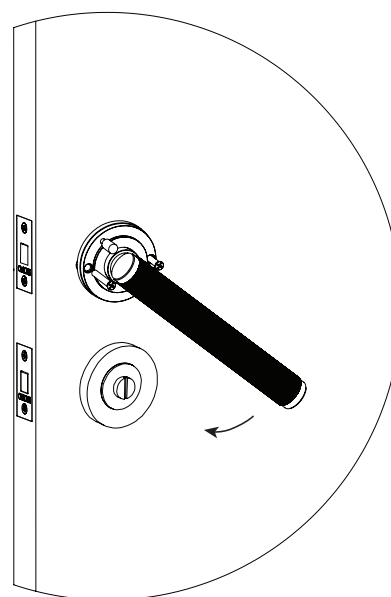


Repeat above step hand tightening M4x30 screws



7.

Rotate lever handle down to gain better access to the 2x M4x30 Screws



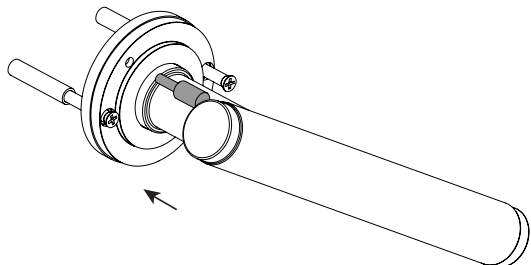
Installation Instructions

Bellevue Lever. Tubular Latch/Lock, Snib and Strike Install

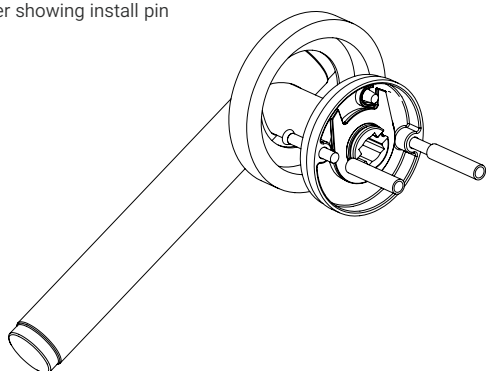
MO
MO
HANDLES

8.
Insert pin into rosette and release lever

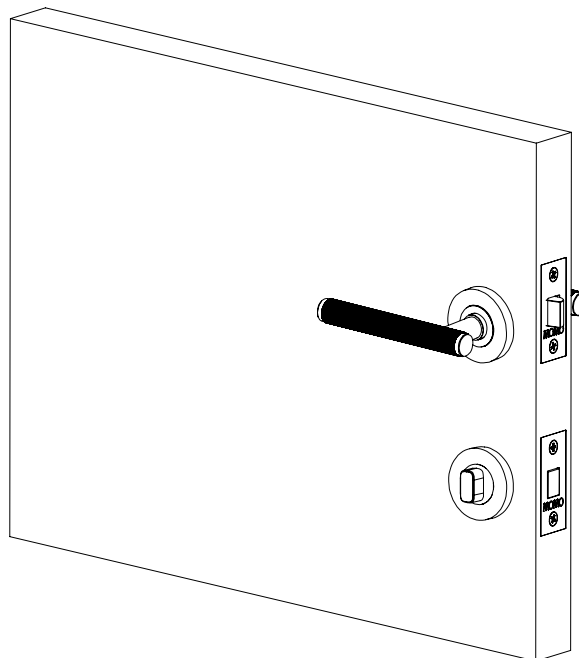
The handle should be locked into a downwards position allowing you to tighten the screws with a screw driver



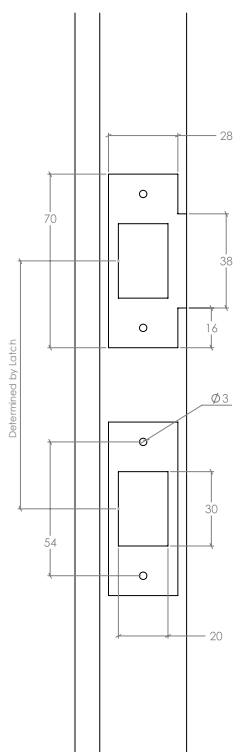
Rear-view of lever showing install pin in position.



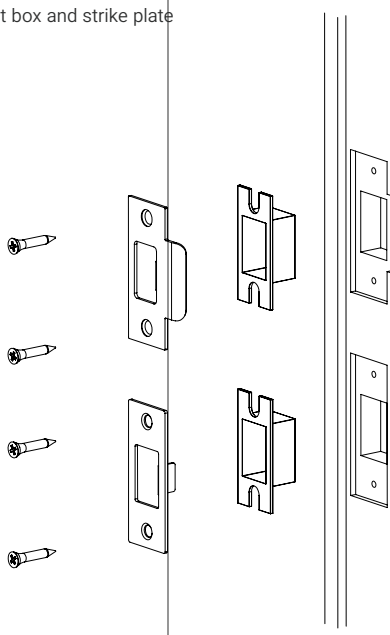
9.
Once secured, reinstall rosette covers by hand and remove plastic covering



10.
Strike Plate Installation Dimensions



11.
Install 4x 10Gx25 screw along with the dust box and strike plate



12.

