

Bellevue Door Pulls



STYLES	Plain Entry Pull: BVEPPL Lined Entry Pull: BVEPLD Knurled Entry Pull: BVEPKN Plain Door Pull: BVPLAP.416BB Lined Door Pull: BVLDA.416BB Knurled Door Pull: BVKNAP.416BB
--------	--

ENTRY PULL

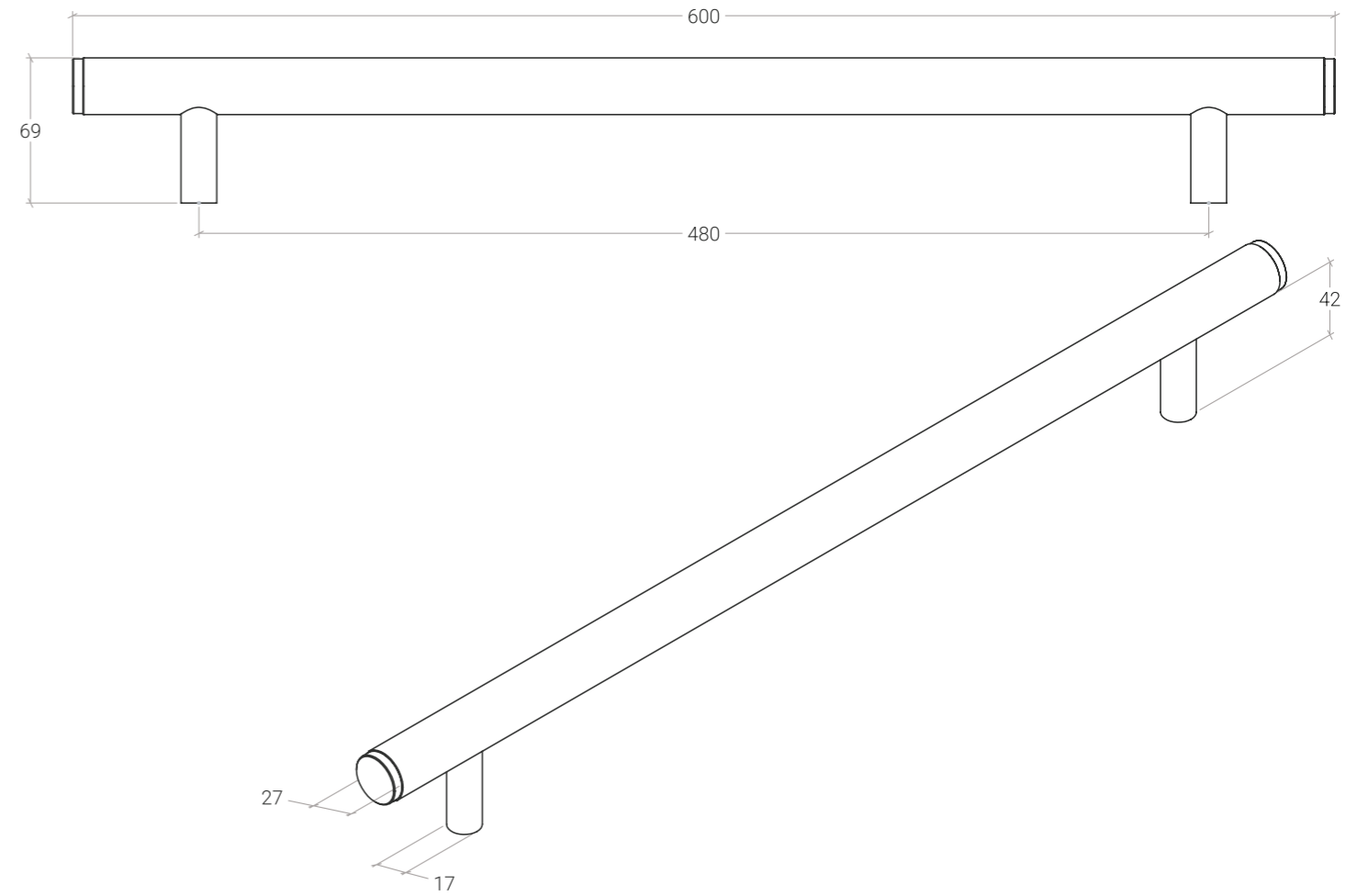
- Large size suitable for entrance doors
- Quality construction and robust finish coatings
- Unique engineering conceals fixing screws and allows back to back fixing
- Supplied with installation hardware

DOOR PULL

- 20mm diameter bar suitable for heavy appliances or large doors
- Quality construction and robust finish coatings
- Unique engineering conceals fixing screws and allows back to back fixing
- Supplied with installation hardware



Entry pull



Door pull

