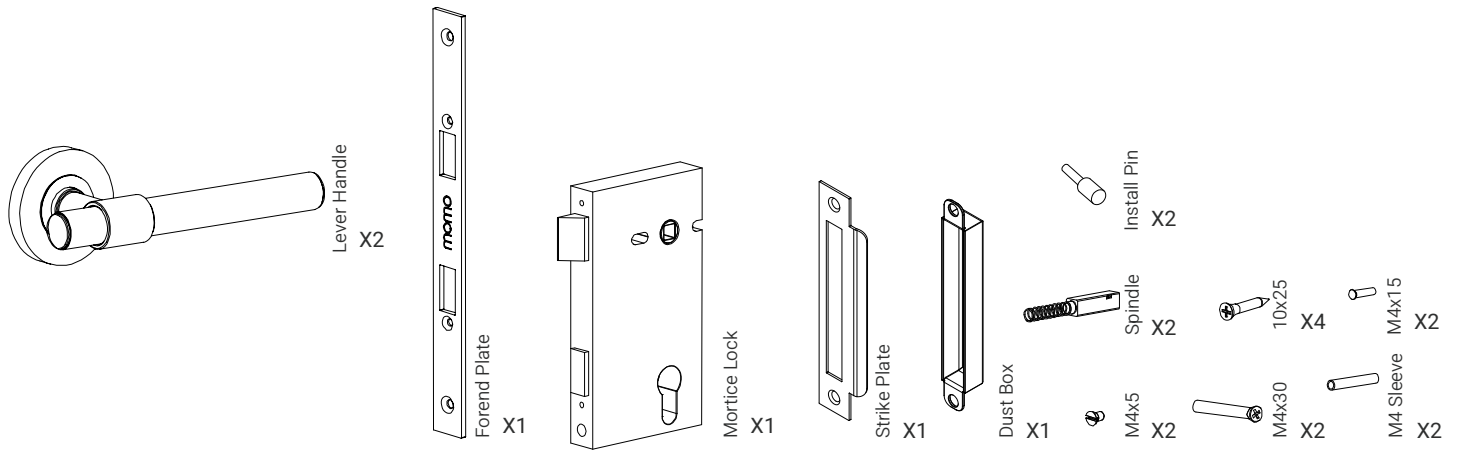


Installation Instructions

Belgravia Lever. Privacy Mortice, passage set and Strike Install

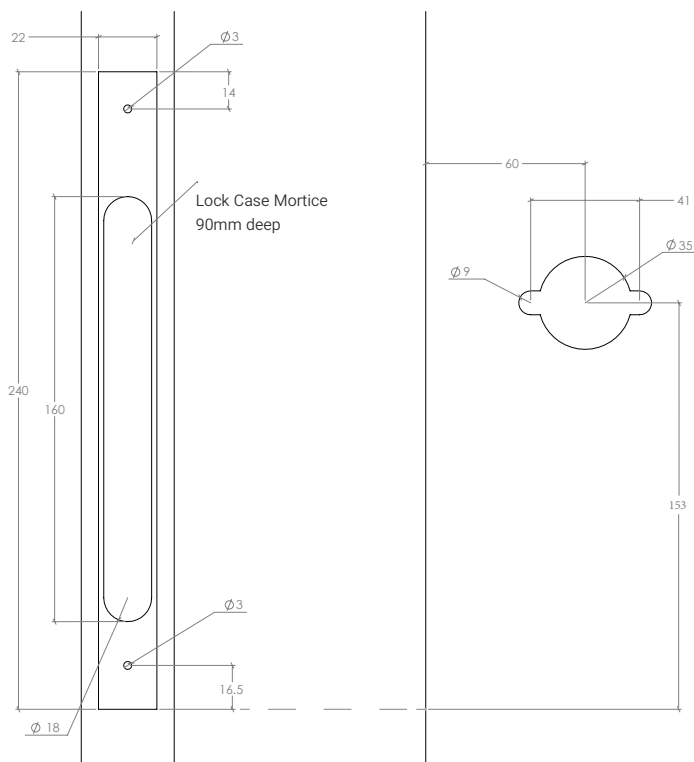


1. Components

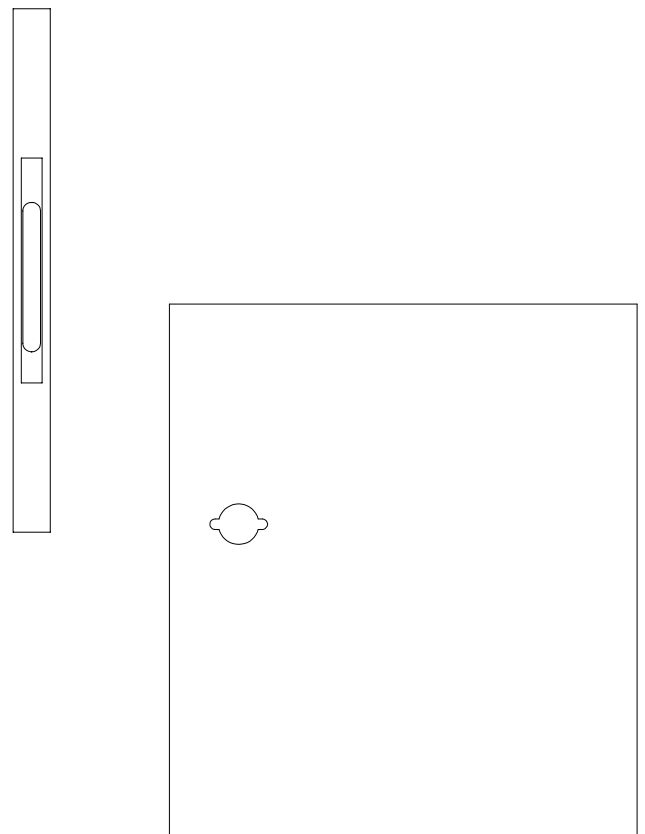


2.

Mortice lock and lever drilling dimensions



3.



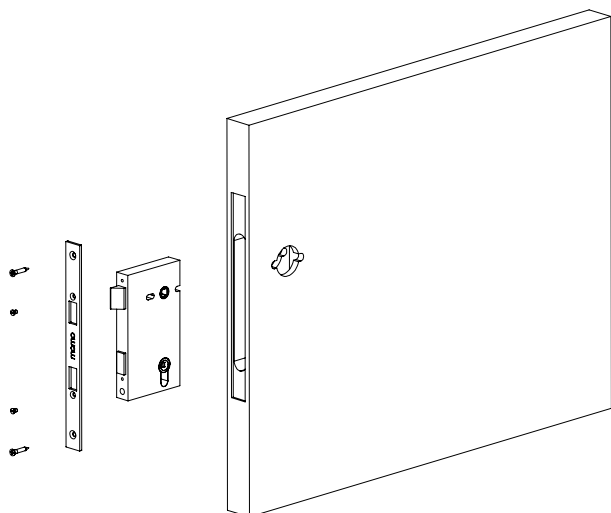
Installation Instructions

Belgravia Lever. Privacy Mortice, Barrel and Strike Install

MO
MO
HANDLES

4.

Install forend plate to mortice lock using 2x M4x5 screws
Install assembly into door using 2x 10Gx25 screws

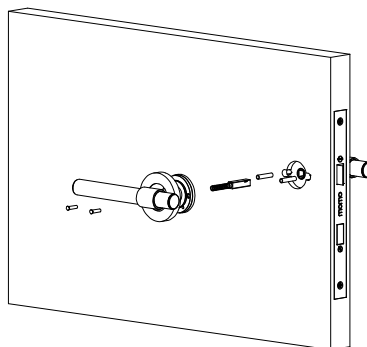


5.

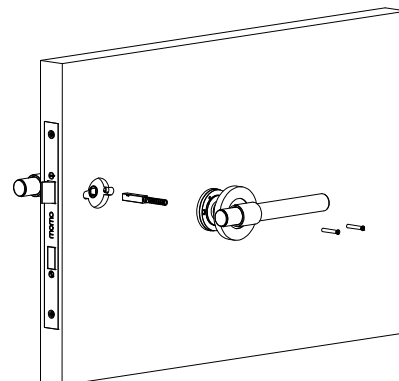
Loosen rosette cover from lever and install 2x M4x15 screw to the Lever

Tighten with the 2x M4 sleeves and insert spindle, spring side first into the lever handle

Install assembly into door

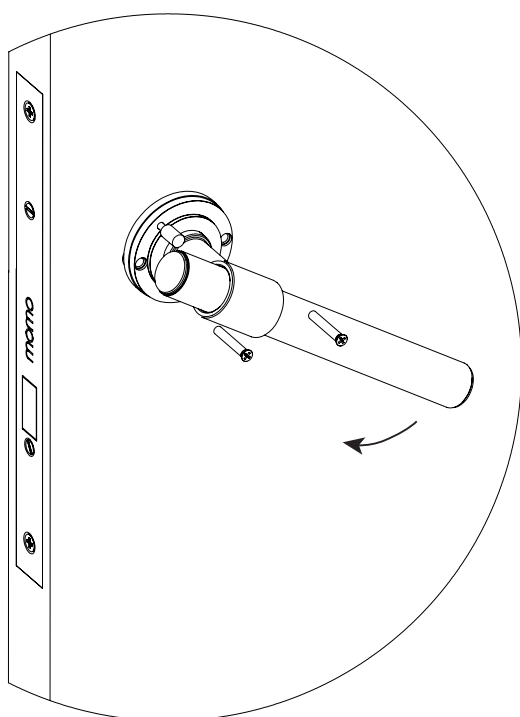


Repeat above step hand tightening M4x30 screws



6.

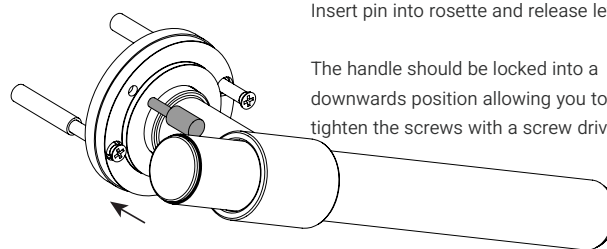
Rotate lever handle down to gain better access to the 2x M4x30 Screws



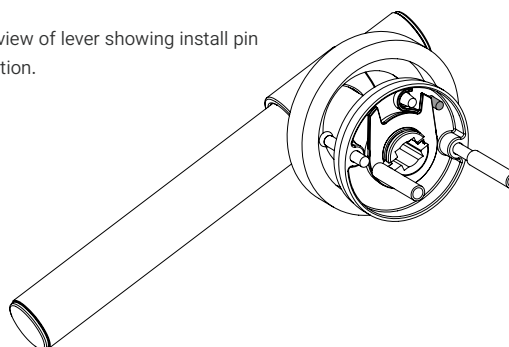
7.

Insert pin into rosette and release lever

The handle should be locked into a downwards position allowing you to tighten the screws with a screw driver



Rear-view of lever showing install pin in position.



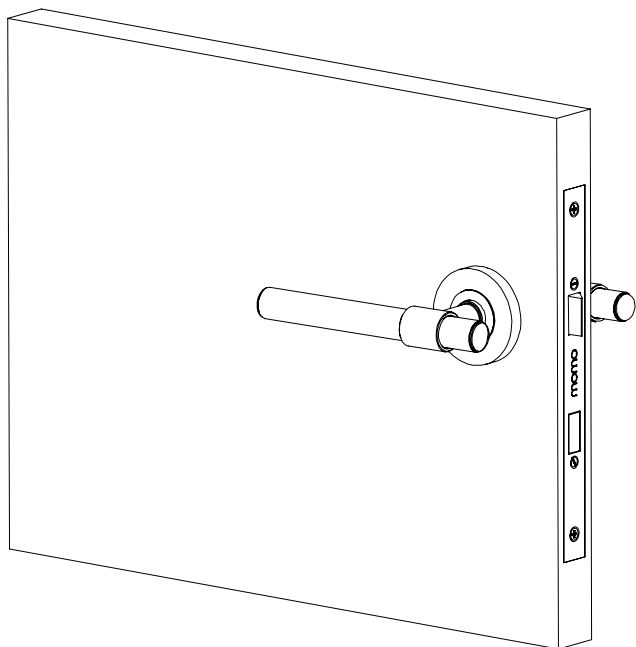
Installation Instructions

Belgravia Lever. Privacy Mortice, passage set and Strike Install



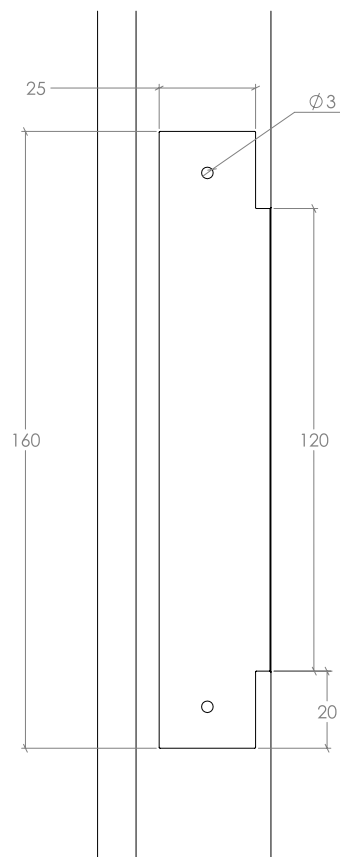
8.

Once secured, reinstall rosette covers by hand and remove plastic covering



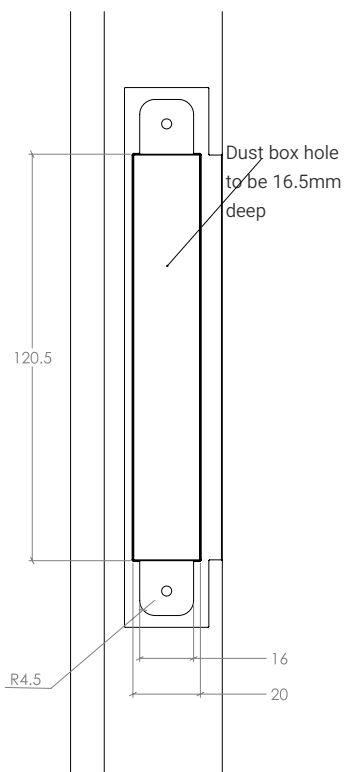
9.

Strike Plate Installation Dimensions



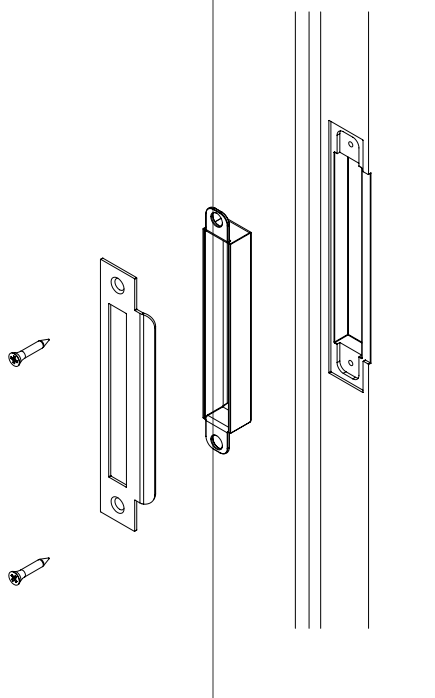
10.

Dust box installation dimensions



11.

Install 2x 10Gx25 screw along with Dust box first, then Strike Plate on top



12.

